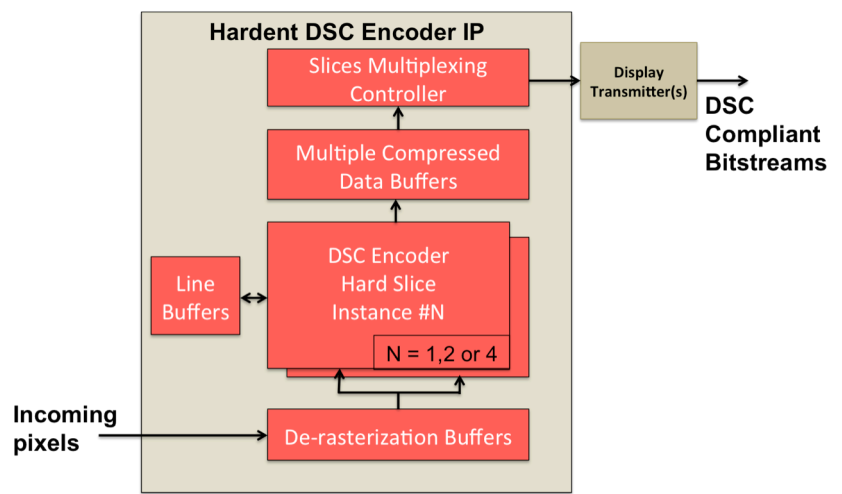


VESA DSC 1.1 Video Encoder IP Core



Applications

- **Mobiles**
- **Tablets**
- **4K / UHD TVs**
- **Broadcast video**
- **Video transmission**

Hardent provides IP solutions as well as cutting-edge ASIC and FPGA design services for electronics manufacturers using display technology. As a member of VESA and a key contributor of the DSC Task Group, Hardent has used its expertise and skills to develop the very latest standards in display technology. Hardent's high-quality IPs enable clients to accelerate their development schedules and meet demanding time-to-market deadlines.

Key Features

- VESA DSC 1.1 compliant
- Supports all DSC 1.1 mandatory encoding mechanisms
 - MMAP, BP, MPP and ICH
- Output buffering compatible with transport stream over video interfaces
- Parameterizable number of output video interfaces
- Configurable maximum display resolution
 - Up to 4K (4096x2160), 5K (UHD+) and 8K (FUHD)
- 8 and 10 bits video components
- YCbCr and RGB 4:4:4 video input format
- Optional upsampling 4:2:2 to 4:4:4 at input
- 1 pixel / clock internal processing architecture
- Parameterizable number of parallel slice encoder instances (1, 2 or 4) to adapt to the capability of the technology and target display resolutions used
- Multiple slices per line in each encoder instance supported
- 100% verification coverage based on UVM environment
- Verified against the VESA DSC 1.1 C model using a comprehensive test image library

Deliverables

- Encrypted RTL source code IP core
- Functional and structural coverage reports
- Comprehensive integration guide
- Technical support and maintenance updates

Product options

- RTL source code
- IP customization and integration services available on request
- Multi-projects and perpetual licenses available
- UVM verification bindable modules
- FPGA evaluation and prototyping platform

For additional information contact:

info@hardent.com

+1-514-284-5252

Copyright © 2015 Hardent Inc.



Hardent 
www.hardent.com